

AL 60

Cable Selection Set

New Version!
Battery or AC powered,
easy to use clamp-on probe



Technical Specification AL 60

Cable Selection Set

The Cable Selection Set AL 60 will safely identify a **dead** (or de-energized) HV cable within a group of energized or also de-energized cables, i.e. when cutting in a new transformer. The safe identification is based on the **direction and amplitude** of the signal coming from the transmitter, which is detected and displayed by the clip-on probe (see diagram below).

An optional Mains Modulator permits the identification of **live** low voltage cables, e.g. secondary cables.

Features:

- Pulse transmitter with max. 35 VDC, non-hazardous!
- Short circuit proof
- 4" clip-on probe with convenient one-hand operation
- Easy handling
- Unambiguous test results
- Leather carrying case
- Allows the identification of live low voltage cables using optional Mains Modulator

Transmitter ALS 60-1M

Output Voltage:	35 V DC pulse
Output Current:	max. 60 A
Power Supply:	115/230 V, 60/50 Hz or ext. 8.5 V to 18 V DC
Dimensions:	11" x 4½" x 7½"
Weight of Set:	11lbs.

Receiver ALE 20

Sensitivity:	6 steps, continuous fine adjustment
Error Indicator:	LED and acoustic buzzer
Display:	analog
Power Supply:	9 V block battery
Operating Time:	> 30 hrs.
Dimensions:	4" x 7½" x 2"
Weight:	1 lb.

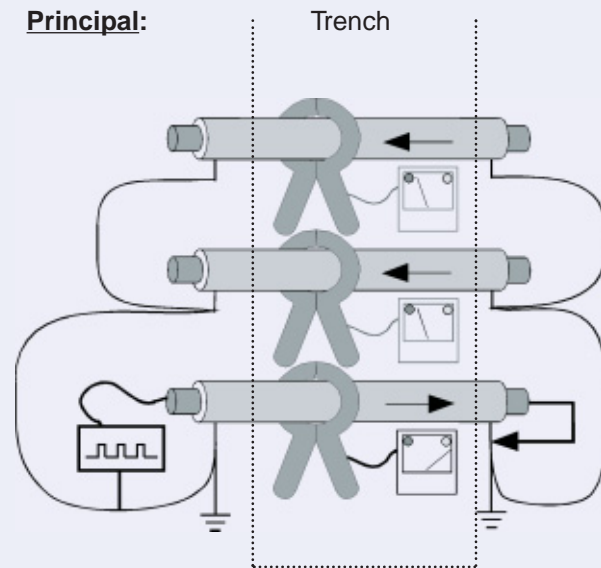
Cable Selection Set consists of:

- Transmitter ALS 60-1M
- Receiver ALE 20
- Clip-on probe AZ 100, approx. 4" (100 mm)
- All necessary leads and battery
- Leather carrying case
- Operational manual

Optional:

- Mains Modulator 100 A peak value
115/230 V, 60/50 Hz
power input approx. 45 VA
for identification of live secondary cable
- Clip-on probe approx. 8" (200 mm)

Principal:



AL 60-fly-0102

HDW Electronics Inc., 5897 Colony Drive,
Bethlehem PA 18017

Tel: (610) 837-9803 • Fax: (610) 837-9807

Internet: www.hdwelectronics.com

E-mail: sales@hdwelectronics.com

Subject to changes without notice

Your Local Representative is: